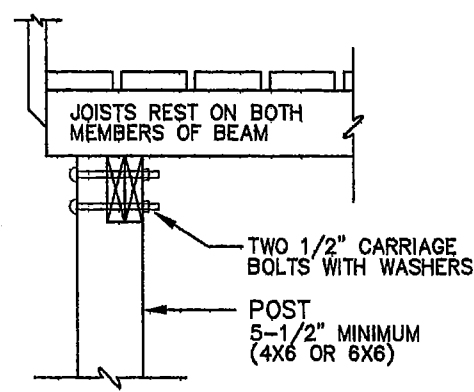


ALTERNATE BEAM
(GOOD)



ALTERNATE BEAM
(BETTER)

ACCEPTABLE POST AND BEAM CONNECTIONS