

R311.7.1 STAIR WIDTH: STAIRWAYS SHALL NOT BE LESS THAN 36" IN CLEAR WIDTH AT ALL POINTS ABOVE THE PERMITTED HANDRAIL HEIGHT AND BELOW THE REQUIRED HEADROOM CLEARANCE HEIGHT OF 6'-8" (R311.5.2)

R311.7.4.1 RISER HEIGHT: THE MAXIMUM RISER HEIGHT SHALL BE 8-1/4". THE GREATEST RISER HEIGHT WITHIN A FLIGHT OF STAIRS SHALL NOT EXCEED THE SMALLEST BY MORE THAN 3/8".

R311.7.4.2 TREAD DEPTH: THE MINIMUM TREAD DEPTH SHALL BE 9". THE GREATEST TREAD DEPTH WITHIN A FLIGHT OF STAIRS SHALL NOT EXCEED THE SMALLEST BY MORE THAN 3/8".

R311.7.7 HANDRAILS: HANDRAILS SHALL BE PROVIDED ON AT LEAST ONE SIDE OF EACH CONTINUOUS RUN OF TREADS OR FLIGHT WITH FOUR OR MORE RISERS.

R311.7.7.1 HANDRAIL HEIGHT: HANDRAIL HEIGHT SHALL NOT BE LESS THAN 34" AND NOT MORE THAN 38". HANDRAILS SHALL BE EITHER A TYPE I OR A TYPE II CONFIGURATION.

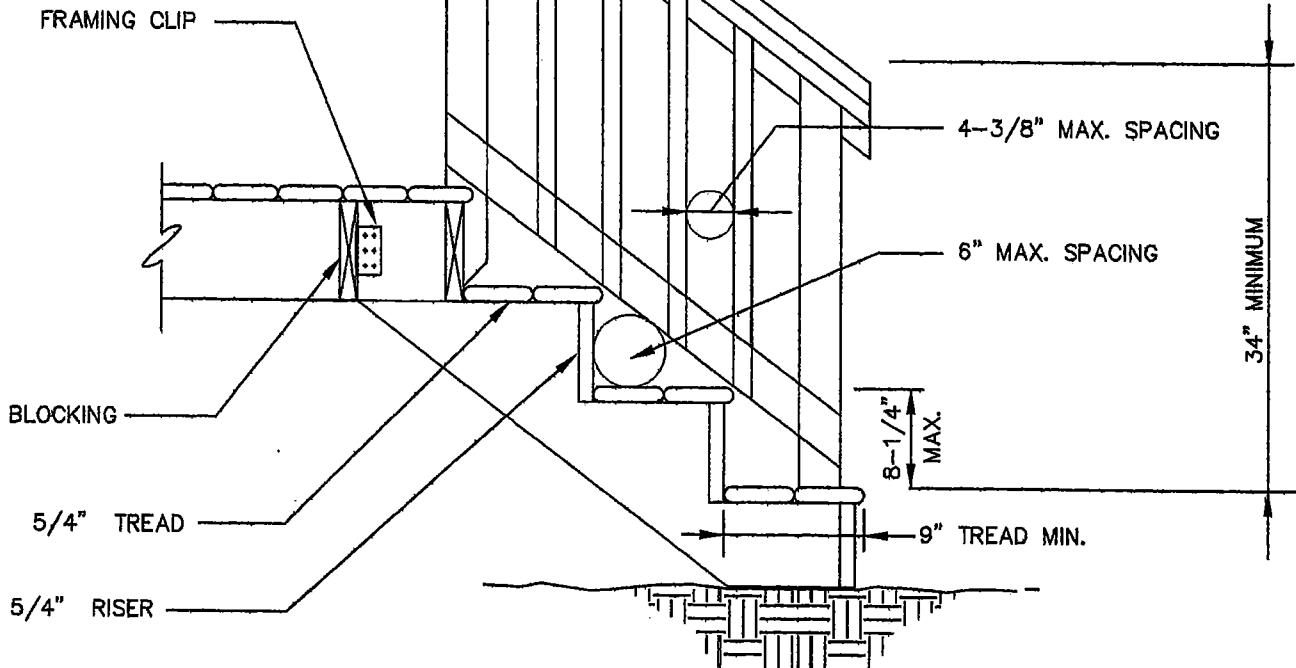
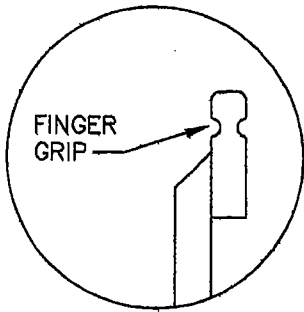
GRIP SIZE: 311.7.7.3

TYPE I: HANDRAILS WITH A CIRCULAR CROSS SECTION SHALL HAVE AN OUTSIDE DIAMETER AT LEAST 1-1/4" AND NOT GREATER THAN 2". IF THE HANDRAIL IS NOT CIRCULAR, IT SHALL HAVE A PERIMETER DIMENSION OF AT LEAST 4" AND NOT GREATER THAN 6-1/4" WITH A MAXIMUM CROSS SECTION OF 2-1/4"

TYPE II: HANDRAILS WITH A PERIMETER SECTION WITH AN OUTSIDE DIAMETER GREATER THAN 6-1/4" SHALL PROVIDE A GRASPABLE FINGER RECESS AREA ON BOTH SIDES OF THE PROFILE. THIS RECESS SHALL BE A MINIMUM OF 5/16" IN DEPTH. THE MINIMUM WIDTH OF THE HANDRAIL ABOVE THE RECESS SHALL BE 1-1/4" TO A MAXIMUM OF 2-3/4". EDGES SHALL HAVE A MINIMUM RADIUS OF .01"

312.1 GUARDS REQUIRED: OPEN SIDES OF STAIRS WITH A TOTAL RISE OF 30" OR MORE ABOVE THE FLOOR OR GRADE BELOW SHALL HAVE GUARDS NOT LESS THAN 34" IN HEIGHT MEASURED VERTICALLY FROM THE NOSING OF THE TREAD.

312.3 GUARD OPENING LIMITATION; EXCEPT. #2 OPENINGS FOR REQUIRED GUARDS ON THE SIDES OF STAIR TREADS SHALL NOT ALLOW A SPHERE 4-3/8" TO PASS THROUGH.
NOTE: THIS SPACING IS FOR STAIRS ONLY.



STAIR DETAIL